



DOWNING

EXHIBITS



Downing Exhibits is applying decades of experience in a time of crisis to help you stay safe, productive and connected.

We are committed to providing designs and products that are instrumental to keeping your customers and employees safe and informed.



Please reach out to us today as we all work together to overcome COVID 19.



**MOD-9001
with Graphic**



16"W x 18"D
x 54"H

MOD-9002



15"W x 18"D
x 75"H

MOD-9001



12"W x 18"D
x 54"H

MOD-9003



12" W x 18" D
x 59.75" H

Durable Hand Sanitizing Stations

Assembles in minutes

Aluminum & Steel Construction

Features and Benefits:

- White Powder-Coated Finish
- Scratch-Resistant
- Stainless Steel Mount/Bracket
- Easy-to-Clean
- Engineered Aluminum Extrusion
- Lightweight | Durable
- Steel Base
- Stable | Low Profile
- Limited Lifetime Warranty



MADE IN USA

DOWNING

EXHIBITS

*DISPENSER NOT INCLUDED | REQUEST PRICE & AVAILABILITY

Angled and Straight Versions Available



Info Stand

Use the Info Stand to quickly and easily convey important information and promote proper procedural behaviors. Easily exchange the message as often as needed.

Features and Benefits:

- Stable & sturdy
- Simple setup
- Easy to update & relocate
- Angled version for perfect reading position
- Straight version for double-sided directional signage
- Straight version height: 59"
- Angled version height: 40"

4 Widths Available 3", 15", 24", 48"



Panel Base

A simple solution for splash/sneeze/cough guard protection, providing instructions, or create a barrier. The Expolinc Panel Bases are stable & sturdy that enables you to easily create rigid signage that can be customized to your desired sizes. In addition, Panel Bases can be re-purposed to meet your ever-changing needs.

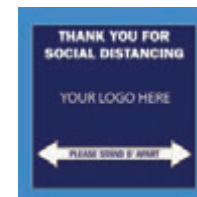
Features and Benefits:

- Quick and easy install
- Utilize most rigid material with adjustable thickness up to 3/4"
- 4 widths available 3", 15", 24", 48"

Practical Uses



Indoor & Outdoor Floor Graphics



Social Distancing and Wayfinding Decals

Social distance queuing has become an essential part of business.

Let wayfinding decals help you increase awareness, eliminate confusion and provide clear direction:

- Mark the six feet of safe distance between customers waiting in line
- Direct people to temporary sites for testing, isolation or check-in locations
- Reduce stress by helping people navigate through healthcare facilities
- Coordinate vehicle traffic for drive up testing or curbside pickup

Features and Benefits:

- Customize for your brand
- Include your own copy and logo
- Choose from indoor and outdoor options
- Apply to any type of surface
- Meet the demands of temporary, short or long-term need
- Order in any quantity to accommodate your budget or need

DOWNING

EXHIBITS

Keep the Public Informed with Informational Displays



Hospitals & Healthcare

Identify designated check in areas

Identify designated testing areas

Communicate important safety guidelines

Communicate procedural changes in common areas

Tents, Flags, Signs, Crowd Control & More

Identify designated pick up areas

Communicate disinfecting protocols

Communicate stocking schedules

Communicate designated shopping/pickup/delivery times

Grocery / Retail Stores & Restaurants



Advertise Curbside Pickup Services & Locations



Blizzard

Kit Includes single-sided 23.5" x 80" graphic
Hardware Only

*For applications below 40 degrees Fahrenheit, please use sand in place of water



Thunder

Kit Includes double-sided graphics
Hardware Only

Blizzard

Sturdy hardware constructed for outdoor use

Base can be filled with water or sand; base holds 4.25 gallons/ 19.2 liters of water

Adjustable width and height

Four #3 grommets are used on each corner for graphic attachment

Quick and easy to assemble

Thunder

Double-sided outdoor retractable banner stand

Silver with black accents

Large twist-lock feet

Includes stakes to secure to ground

Three-piece bungee pole

Premium grip rail

Carry bag included

Usage in adverse weather voids all warranties

DOWNING
EXHIBITS

Zoom Tents™ 5', 10', 20'

5' & 10' economy tents include black powder coated steel frames

10' & 20' standard tents include rust-resistant, lightweight silver aluminum frame with no loose parts with no loose parts

Canopies available in standard colors or custom printed, which are water & uv resistant

Full and half walls optional

One year limited warranty (hardware)



Point of Purchase Hygiene Barriers



Frameless



Pass Through



Low Profile

Hygiene Barriers

Hygiene barriers provide protection in any environment where people interact in close proximity. With multiple designs available and the ability to customize to specific requirements, we have a fit for any location. Shipping can be arranged by individual units or bulk packaging.

Bars / Restaurants Hygiene Barriers



Accordion Folding Divider

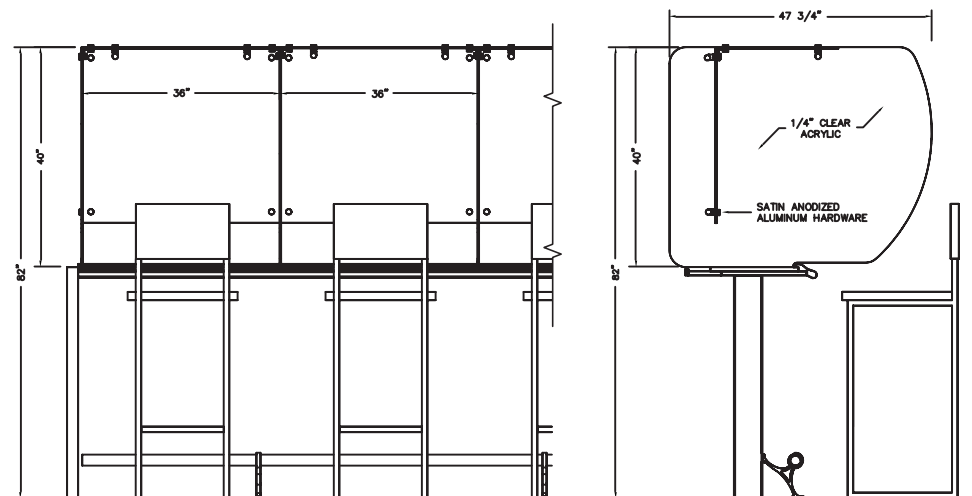


Standing Divider



Modular Countertop Screens

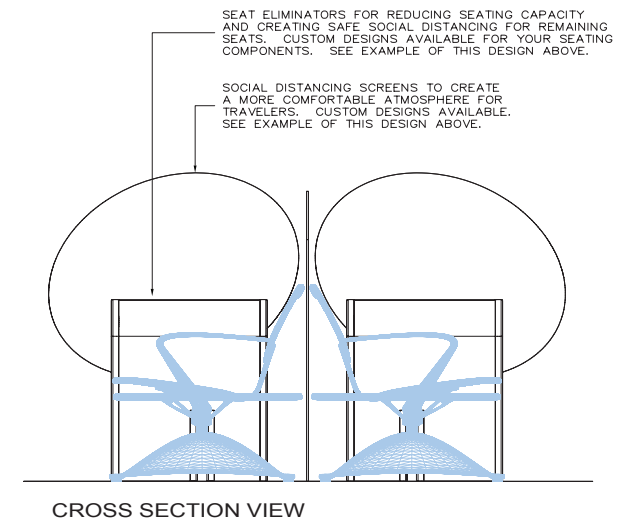
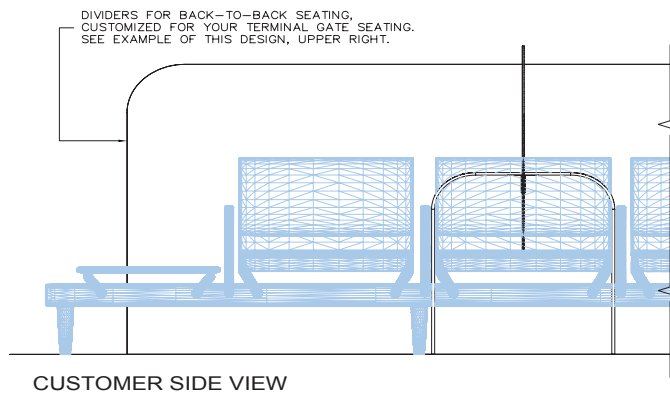
Cocktail type bar is shown in this example, however, our modular bar hospitality screen is compatible with any serving bar environment. Custom elements are available.





Airport Gate Seating Screens

Custom gate seating screen solutions provide a simple, inexpensive solution designed and manufactured for your specific environment, along with a clean, safe installation by our experienced carpenters. Set up instructions can be provided if you choose to handle your own installation with local or in-house labor.





Booth Seating Screen Solutions

Custom booth seating screen solutions to meet your needs. A simple, inexpensive solution will be designed and manufactured for your specific environment, along with a clean, safe installation by our experienced carpenters.

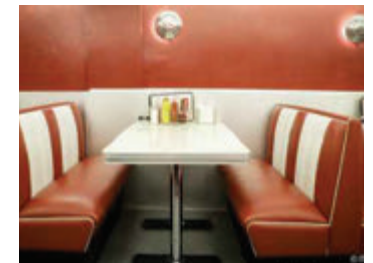
Application Scenarios



Lounge Booths



Fast Food Booths

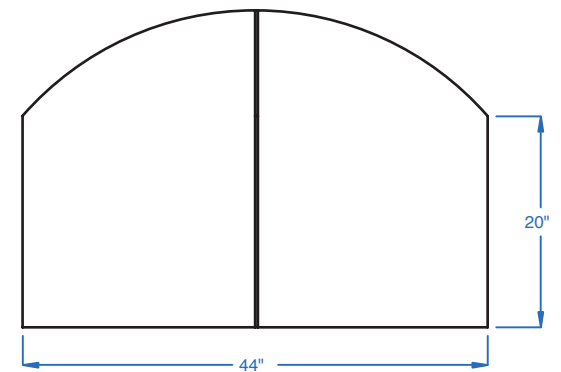
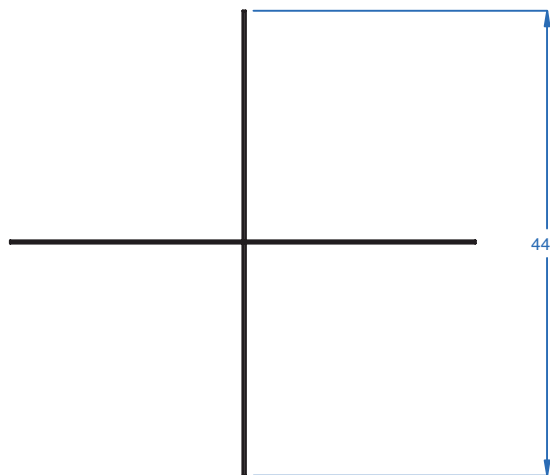
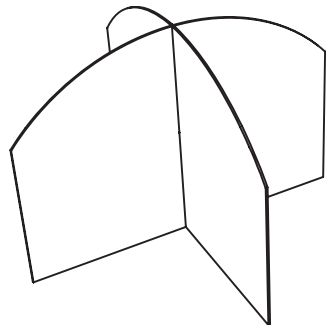


Diner Booths



Countertop Design A

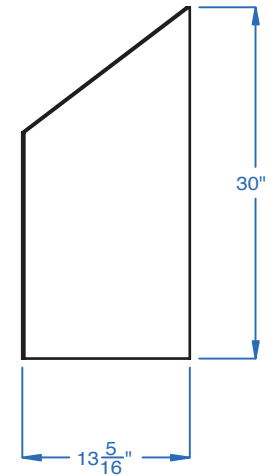
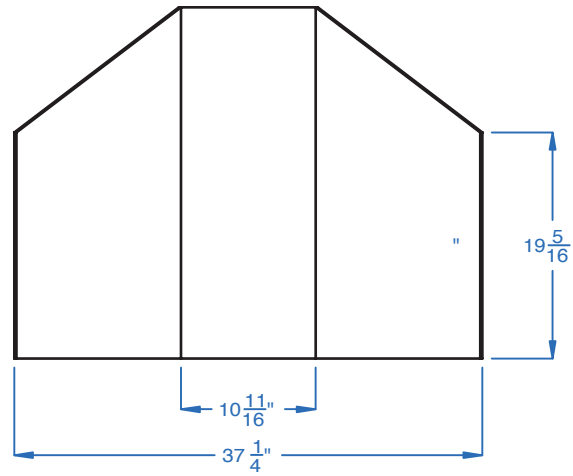
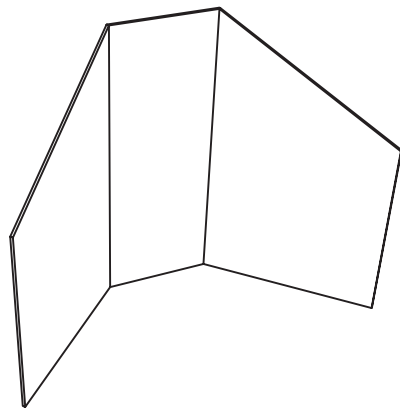
Two slotted pieces of 1/4" clear plexi slide together to fit on tabletop

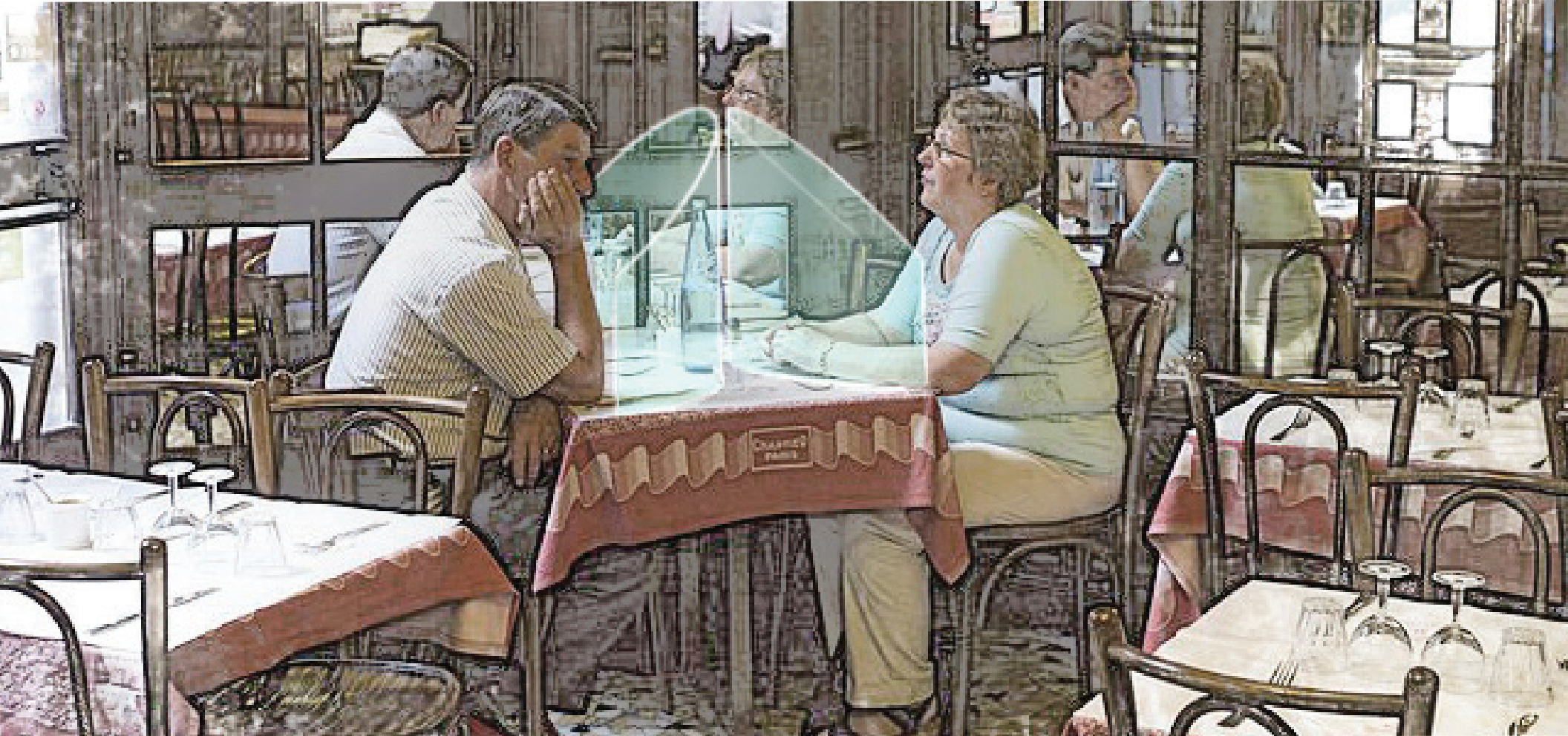




Countertop Design B

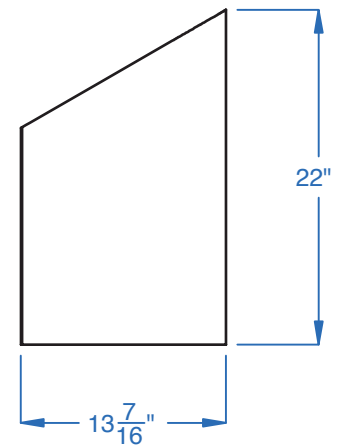
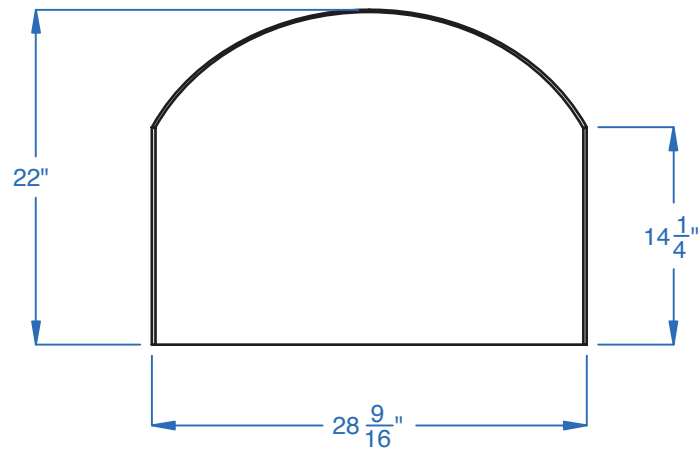
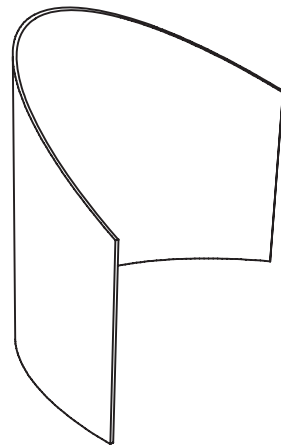
One piece of 1/4" clear plexi heat bent to fit on tabletop





Countertop Design C

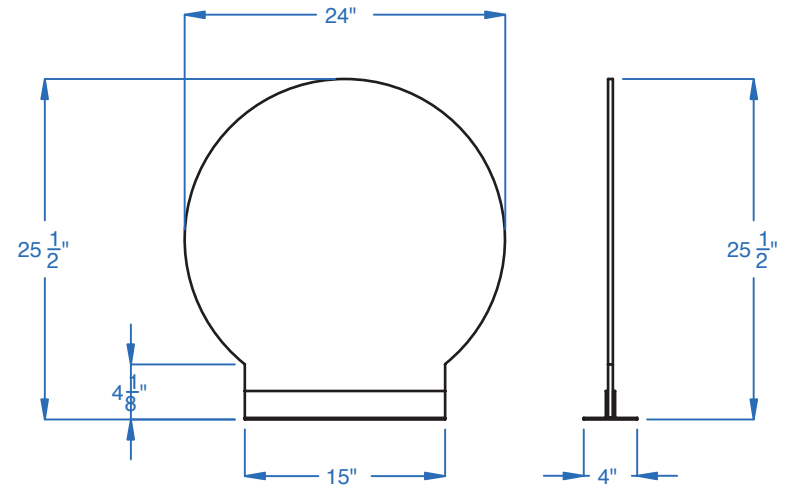
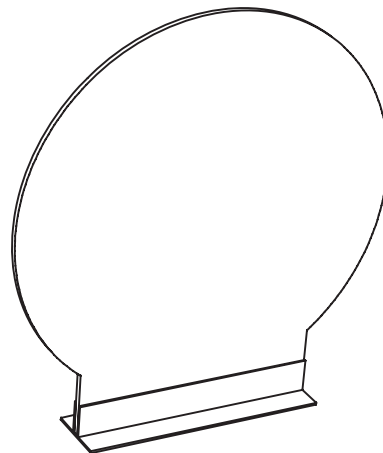
One piece of 1/4" clear plexi heat bent to fit on tabletop





Countertop Design D

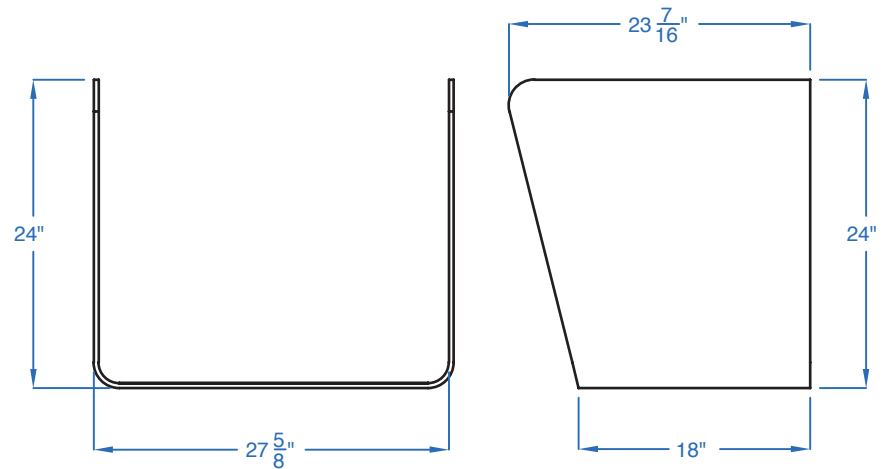
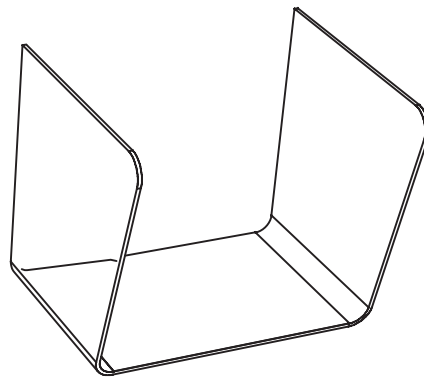
One piece of 1/4" clear plexi with aluminum base





Countertop Design E

One piece of 1/4" clear plexi heat bent sled design. Matte laminate on base protects shield from heat & scratches. Thin neoprene rubber underneath protects countertop and prevents shield from sliding





Thank You!